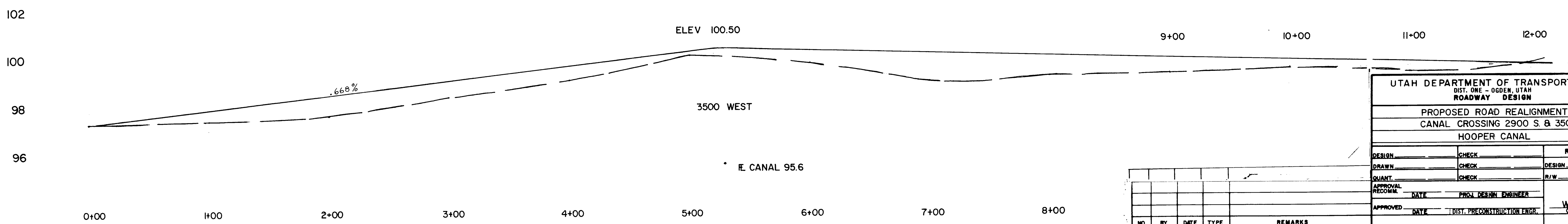
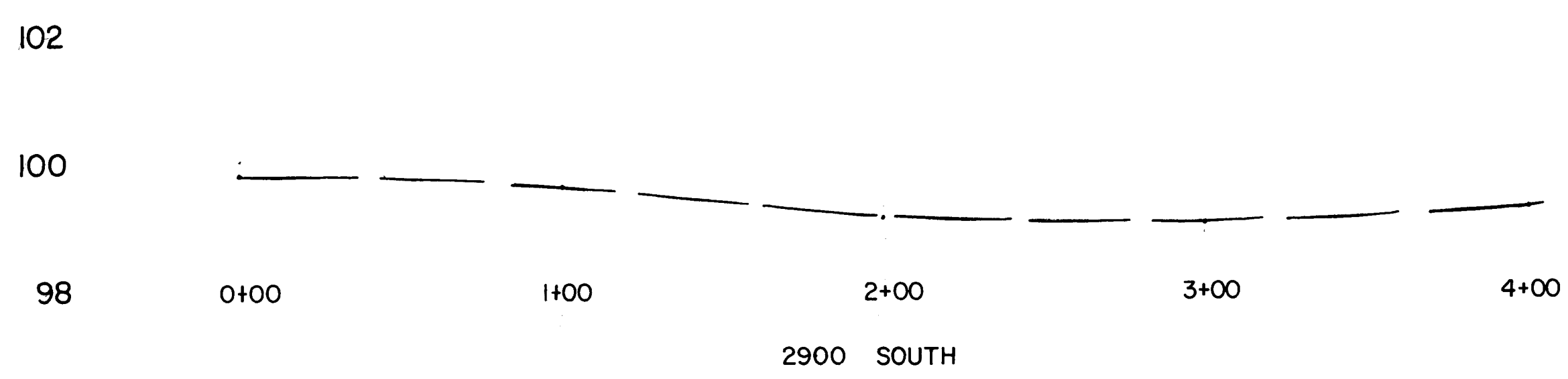
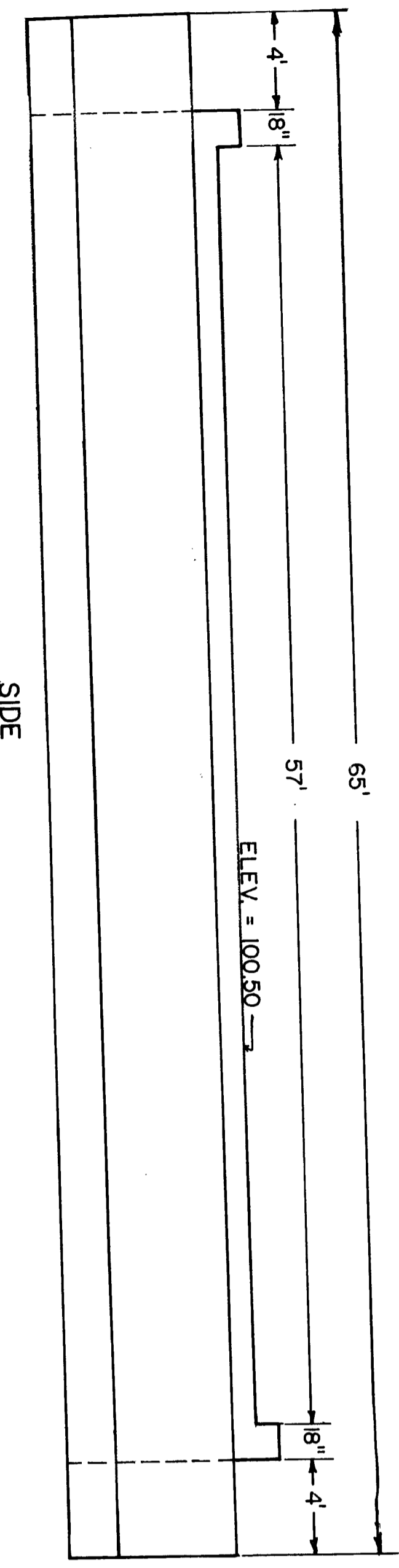


NORTH
SCALE 1"=40'

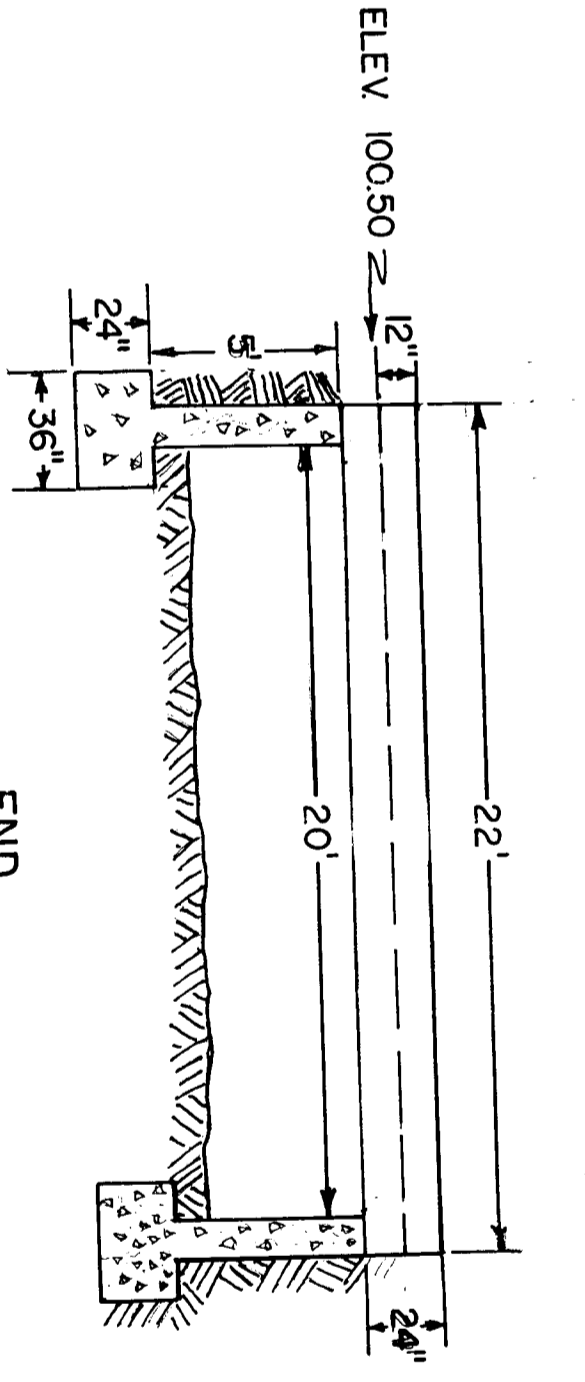


NO.	BY	DATE	TYPE	REMARKS

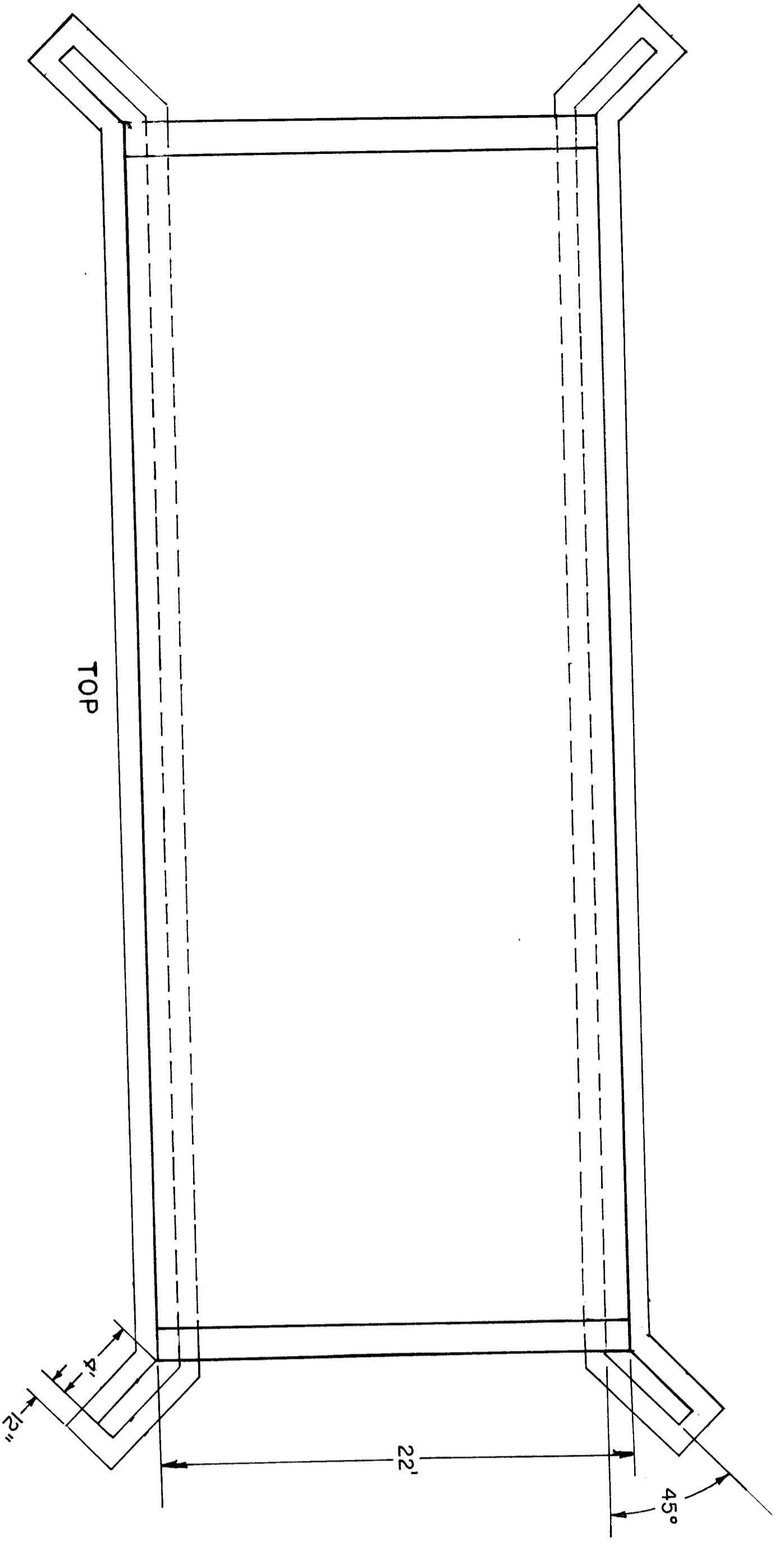
UTAH DEPARTMENT OF TRANSPORTATION DIST. ONE - UGDEN, UTAH ROADWAY DESIGN			
PROPOSED ROAD REALIGNMENT CANAL CROSSING 2900 S. & 3500 W. HOOPER CANAL			
DESIGN	CHECK	DESIGN	REVIEW
DRAWN	CHECK	DESIGN	REVIEW
QUANT.	CHECK	DESIGN	REVIEW
APPROVAL	DATE	PROJ. DESIGN ENGINEER	
APPROVED	DATE	DIST. PRECONSTRUCTION ENGR.	
PROJECT NUMBER SOS-0029(02)			SHEET NO.



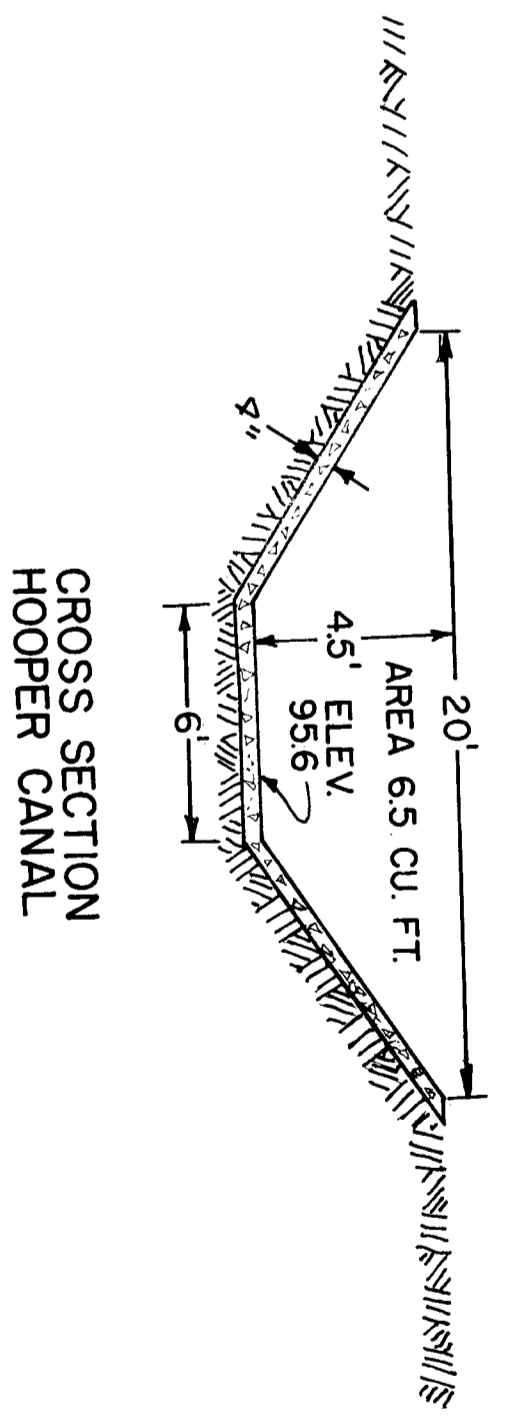
SIDE



END



TOP



GROSS SECTION
HOOPER CANAL

NO.	DATE	TYPE	REMARKS

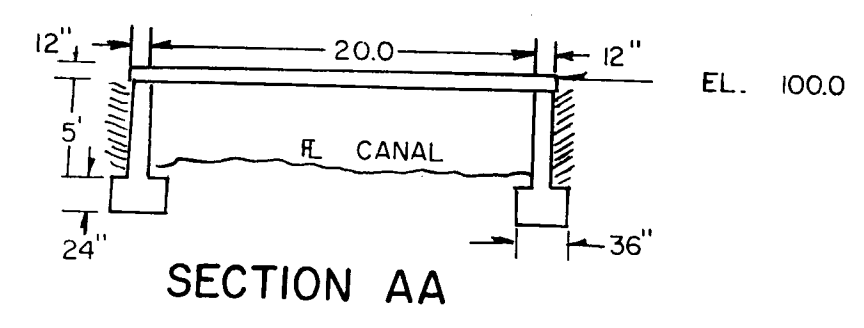
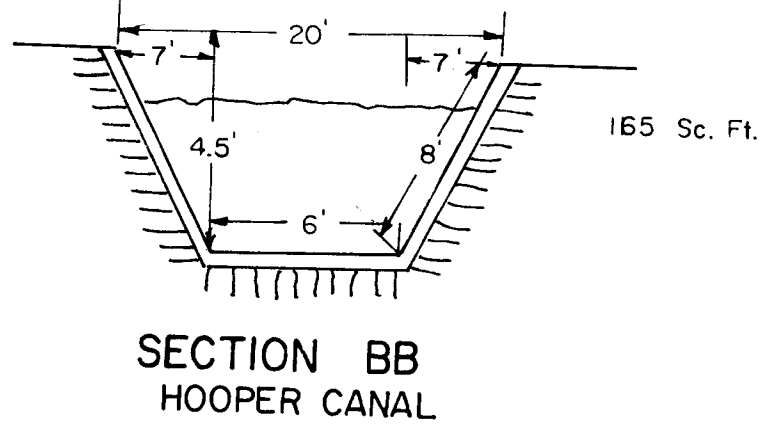
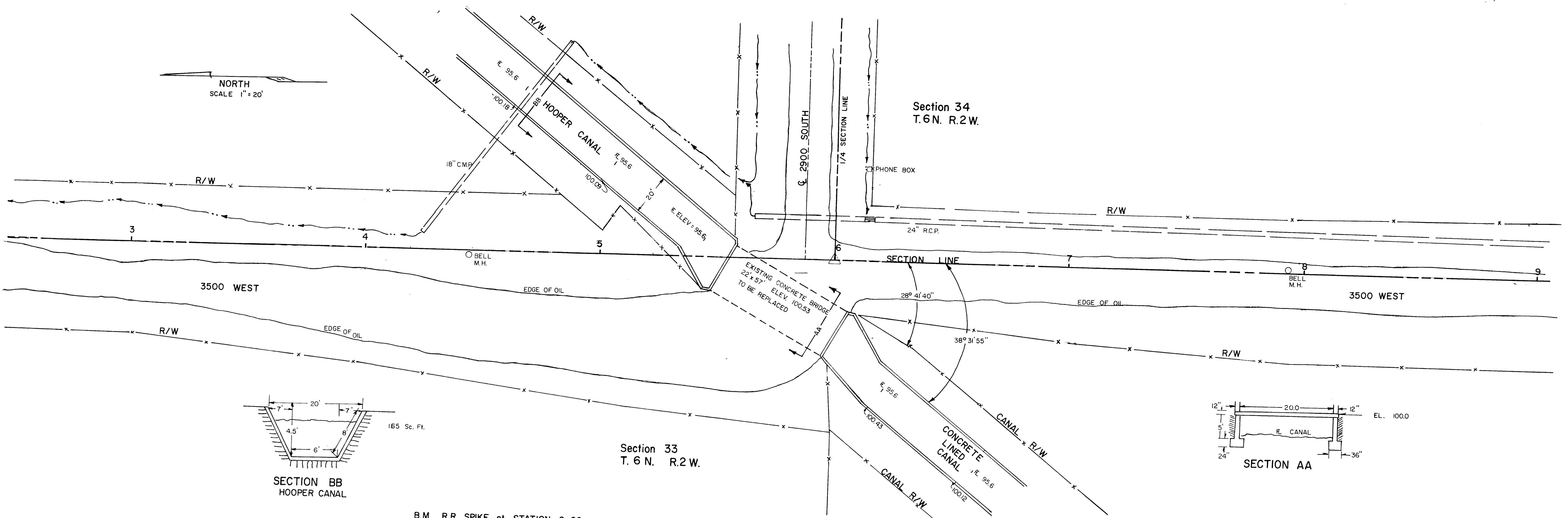
UTAH DEPARTMENT OF TRANSPORTATION
 DIST. ONE - OGDEN, UTAH
 ROADWAY DESIGN

EXISTING BRIDGE HOOPER CANAL
 CROSSING 2900 S. & 3500 W.
 GROSS SECTION HOOPER CANAL

DESIGNED BY	DATE	PROJECT	REVIEW
DRAWN BY	DATE	PROJECT	REVIEW
CHECKED BY	DATE	PROJECT	REVIEW
APPROVED BY	DATE	PROJECT	REVIEW

PROJECT: SOS-00291021
 SHEET NO. _____

NORTH
SCALE 1" = 20'



Section 33
T. 6 N. R. 2 W.

Section 34
T. 6 N. R. 2 W.

B.M. R.R. SPIKE of STATION 6+00
ASSUMED ELEV. 100

NOTE: E. ELEV HOOPER CANAL 95.6

0+00 EAST
ON 2900 S. +
6+00 ON 3500 W.

0+00 1+00 2+00 3+00 4+00
2900 SOUTH

3500 WEST

0+00 1+00 2+00 3+00 4+00 5+00 6+00 7+00 8+00

NO.	BY	DATE	TYPE	REMARKS
REVISIONS				

UTAH DEPARTMENT OF TRANSPORTATION SALT LAKE CITY, UTAH ROADWAY DESIGN		
HOOPER CANAL BRIDGE SITE		
TOPOGRAPHY MAP		
INTERSECTION 2900 S. & 3500 W.		
DESIGN	CHECK	REVIEW
DRAWN	CHECK	DESIGN
QUANT.	CHECK	R/W
APPROVAL	DATE	PROJ. DESIGN ENGINEER
RECOMM.	DATE	PLANS & ESTIMATES ENGINEER
PROJECT NUMBER	SOS - 0029(02)	
WEDDER COUNTY		SHEET NO.